

• Parameter

Motor	Current (A)	Resistance (Ω)	Inductance (mH)	Holding Torque (Nm)	Rotor Inertia ($g \cdot cm^2$)	Length (mm)	Mass (g)
MOT2447-20-S-IP65	2	1,5	3,9	0,9	240	47	600
MOT2456-30-S-IP65	3	0,8	3	1,3	340	56	800
MOT2468-40-S-IP65	4	0,6	2,5	2,2	490	68	1000
MOT2485-50-S-IP65	5	0,4	1,8	2,5	690	85	1300

• General

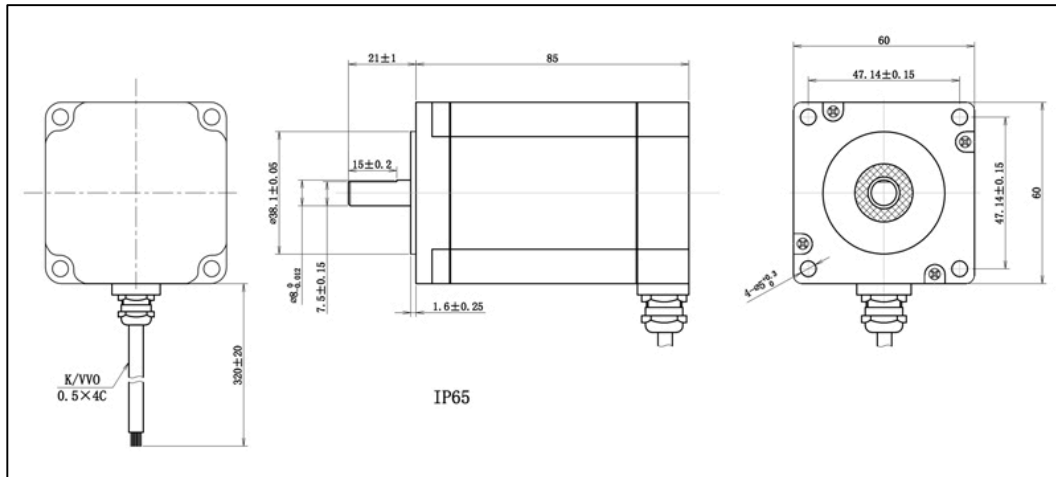
Accuracy	Step angle	$1,8^\circ \pm 5\%$
	Resistance	$\pm 10\% / 20\text{ C}$
	Inductance	$\pm 20\% / 1\text{KHz}$
Insulation class		B
Duty type		S1
Dielectrical strength		500 VAC / 1 KHz / 1 mA / 1 s
Insulation resistance		100 M Ω / 500 VDC
Protection		IP65

• Material

End bell	Aluminum alloy
Bearing	Deep groove ball bearing
Magnet	Sintered NdFeB
Shaft	Stainless steel
Wiring	UL 3265, 20 AWG

SIZE 24 – 60 mm SERIES

- Dimensional Drawings**



- Torque Performance Curves**

