

### • Parameter

Motor	Current (A)	Resistance ( $\Omega$ )	Inductance (mH)	Holding Torque (Nm)	Rotor Inertia ( $g \cdot cm^2$ )	Length (mm)	Mass (g)
MOT2342-10-S-IP65	1	4,2	11	0,6	140	42,5	460
MOT2351-20-S-IP65	2	1,5	4,4	1	240	51,5	640
MOT2365-30-S-IP65	3	0,9	3,6	1,7	350	65,5	860
MOT2376-40-S-IP65	4	0,6	2,4	2	480	76,5	1060

### • General

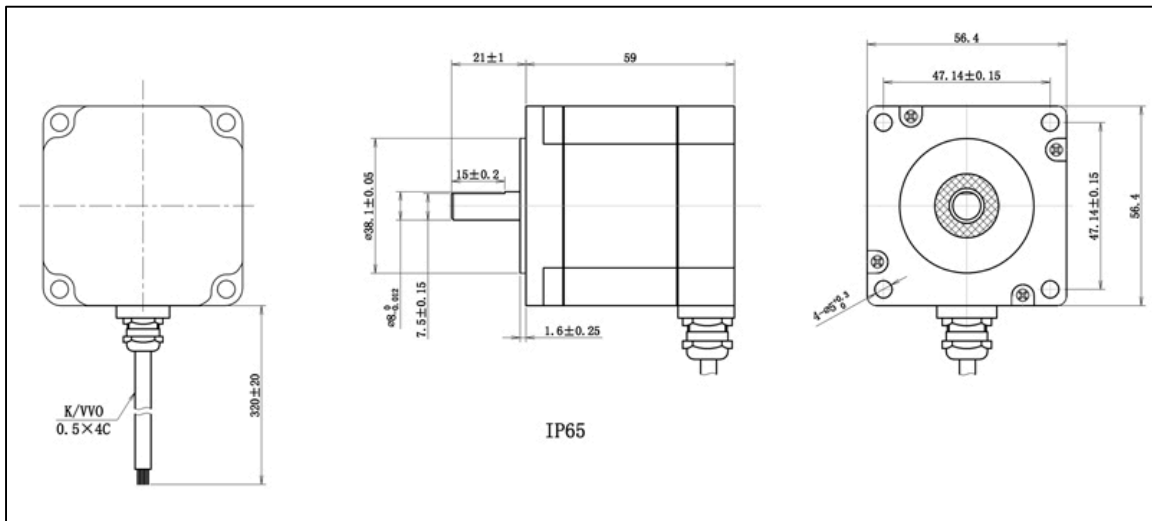
Accuracy	Step angle	$1,8^\circ \pm 5\%$
	Resistance	$\pm 10\% / 20\text{ C}$
	Inductance	$\pm 20\% / 1\text{KHz}$
Insulation class		B
Duty type		S1
Dielectrical strength		500 VAC / 1 KHz / 1 mA / 1 s
Insulation resistance		100 M $\Omega$ / 500 VDC
Protection		IP65

### • Material

End bell	Aluminum alloy
Bearing	Deep groove ball bearing
Magnet	Sintered NdFeB
Shaft	Stainless steel
Wiring	UL 3265, 22 AWG

# SIZE 23 – 57 mm SERIES

- Dimensional Drawings



- Torque Performance Curves

