

• Parameter

Motor	Current (A)	Resistance (Ω)	Inductance (mH)	Holding Torque (Nm)	Rotor Inertia ($g\text{-cm}^2$)	Length (mm)	Mass (g)
MOT0828-05-S	0,5	5,1	1,5	0,014	2,7	27,2	60
MOT0838-05-S	0,5	8,8	2,7	0,02	3,3	38	80

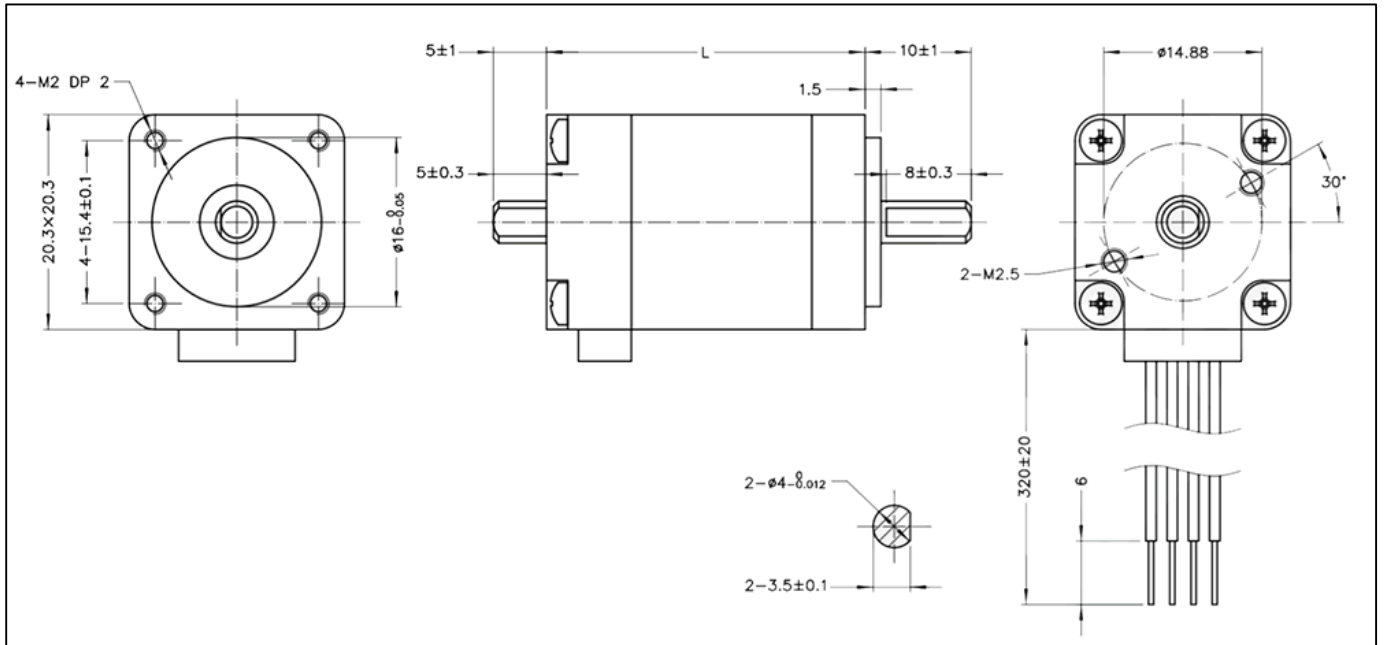
• General

Accuracy	Step angle	1,8° \pm 5%		
	Resistance	\pm 10% / 20 C		
	Inductance	\pm 20% / 1KHz		
Insulation class		B		
Duty type		S1		
Dielectrical strength		500 VAC / 1 KHz / 1 mA / 1 s		
Insulation resistance		100 M Ω / 500 VDC		
Permissible radial load (5MM distance from mounting surface)	Permissible radial load (10MM distance from mounting surface)	Permissible radial load (15MM distance from mounting surface)	Permissible radial load (20MM distance from mounting surface)	
15N	12N	8N	6N	

• Material

End bell	Aluminum alloy
Bearing	Deep groove ball bearing
Magnet	Sintered NdFeB
Shaft	Stainless steel
Wiring	UL 3265, 28 AWG

- Dimensional Drawings



- Torque Performance Curves

