

• Parameter

Motor	Current (A)	Resistance (Ω)	Inductance (mH)	Holding Torque (Nm)	Rotor Inertia ($g\text{-cm}^2$)	Length (mm)	Mass (g)
MOT3460-30-S	3	1	6	2,6	1100	60,5	1600
MOT3475-45-S	4,5	0,6	6	4,5	1800	75	2100
MOT3498-60-S	6	0,5	5,5	7,2	2800	98	2900

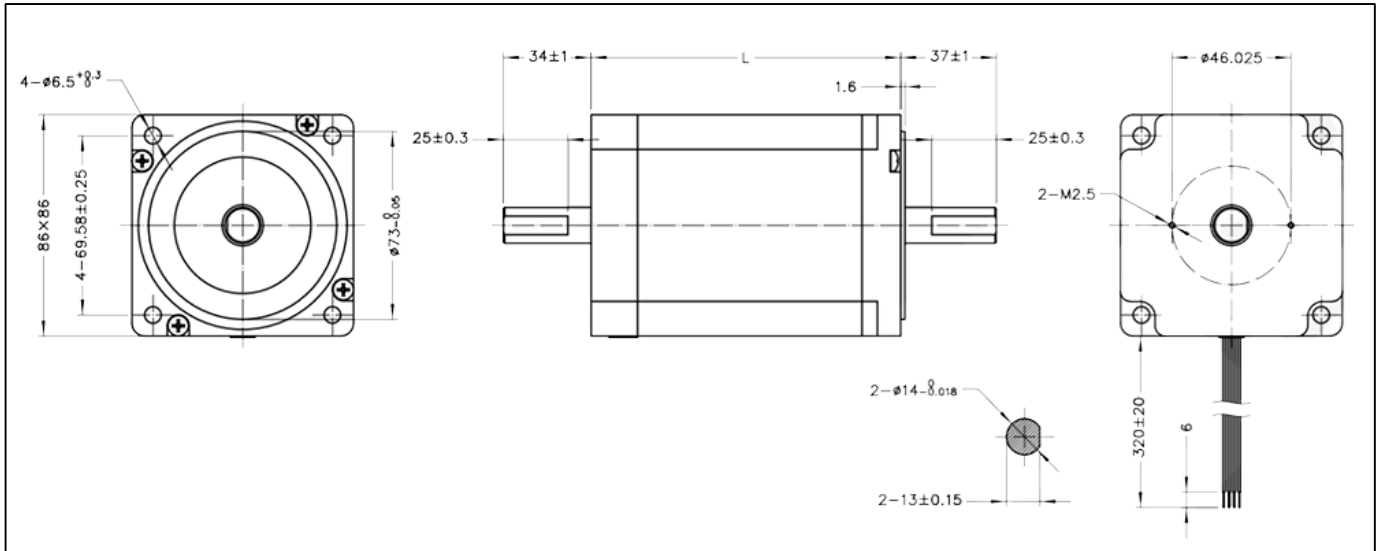
• General

Accuracy	Step angle	$1,8^\circ \pm 5\%$	
	Resistance	$\pm 10\% / 20\text{ C}$	
	Inductance	$\pm 20\% / 1\text{KHz}$	
Insulation class		B	
Duty type		S1	
Dielectrical strength		500 VAC / 1 KHz / 1 mA / 1 s	
Insulation resistance		100 M Ω / 500 VDC	
Permissible radial load (5MM distance from mounting surface)	Permissible radial load (10MM distance from mounting surface)	Permissible radial load (15MM distance from mounting surface)	Permissible radial load (20MM distance from mounting surface)
600N	550N	480N	390N

• Material

End bell	Aluminum alloy
Bearing	Deep groove ball bearing
Magnet	Sintered NdFeB
Shaft	Stainless steel
Wiring	UL 3265, 18 AWG

- Dimensional Drawings



- Torque Performance Curves

