



• Parameter

Motor	Current (A)	Resistance (Ω)	Inductance (mH)	Holding Torque (Nm)	Rotor Inertia ($g\cdot cm^2$)	Length (mm)	Mass (g)
MOT2447-20-S	2	1,5	3,9	0,9	240	47	600
MOT2456-30-S	3	0,8	3	1,3	340	56	800
MOT2468-40-S	4	0,6	2,5	2,2	490	68	1000
MOT2485-50-S	5	0,4	1,8	2,5	690	85	1300

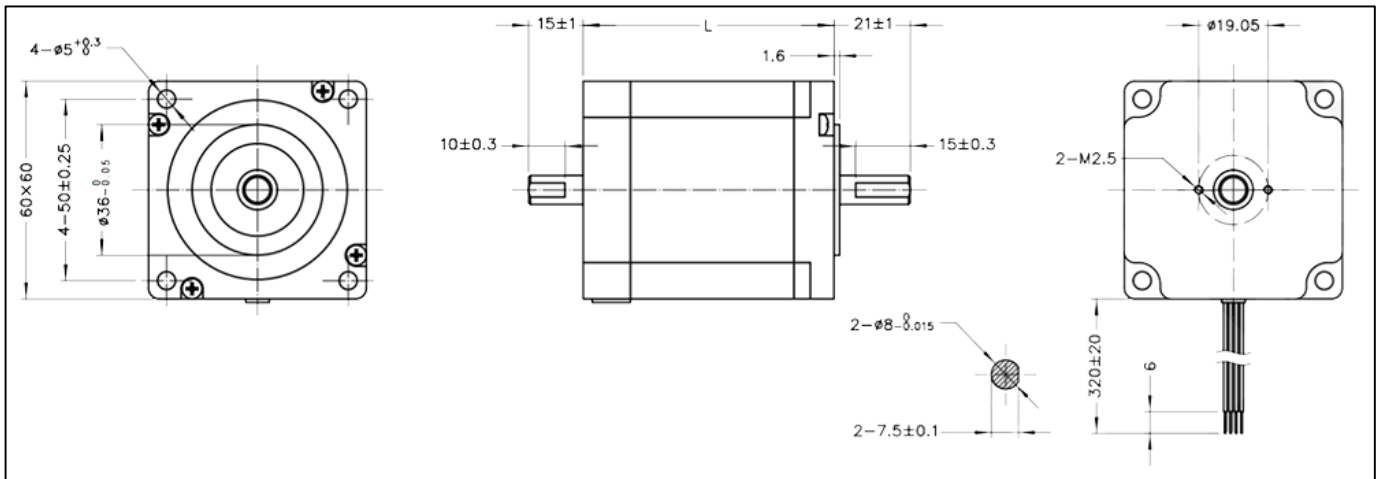
• General

Accuracy	Step angle	$1,8^\circ \pm 5\%$	
	Resistance	$\pm 10\% / 20\text{ C}$	
	Inductance	$\pm 20\% / 1\text{KHz}$	
Insulation class		B	
Duty type		S1	
Dielectrical strength		500 VAC / 1 KHz / 1 mA / 1 s	
Insulation resistance		100 M Ω / 500 VDC	
Permissible radial load (5MM distance from mounting surface)	Permissible radial load (10MM distance from mounting surface)	Permissible radial load (15MM distance from mounting surface)	Permissible radial load (20MM distance from mounting surface)
210N	170N	140N	120N

• Material

End bell	Aluminum alloy
Bearing	Deep groove ball bearing
Magnet	Sintered NdFeB
Shaft	Stainless steel
Wiring	UL 3265, 20 AWG

- Dimensional Drawings



- Torque Performance Curves

