



• Parameter

Motor	Current (A)	Resistance (Ω)	Inductance (mH)	Holding Torque (Nm)	Rotor Inertia ($g\text{-cm}^2$)	Length (mm)	Mass (g)
MOT2342-10-S	1	4,2	11	0,6	140	42,5	460
MOT2351-20-S	2	1,5	4,4	1	240	51,5	640
MOT2365-30-S	3	0,9	3,6	1,7	350	65,5	860
MOT2376-40-S	4	0,6	2,4	2	480	76,5	1060

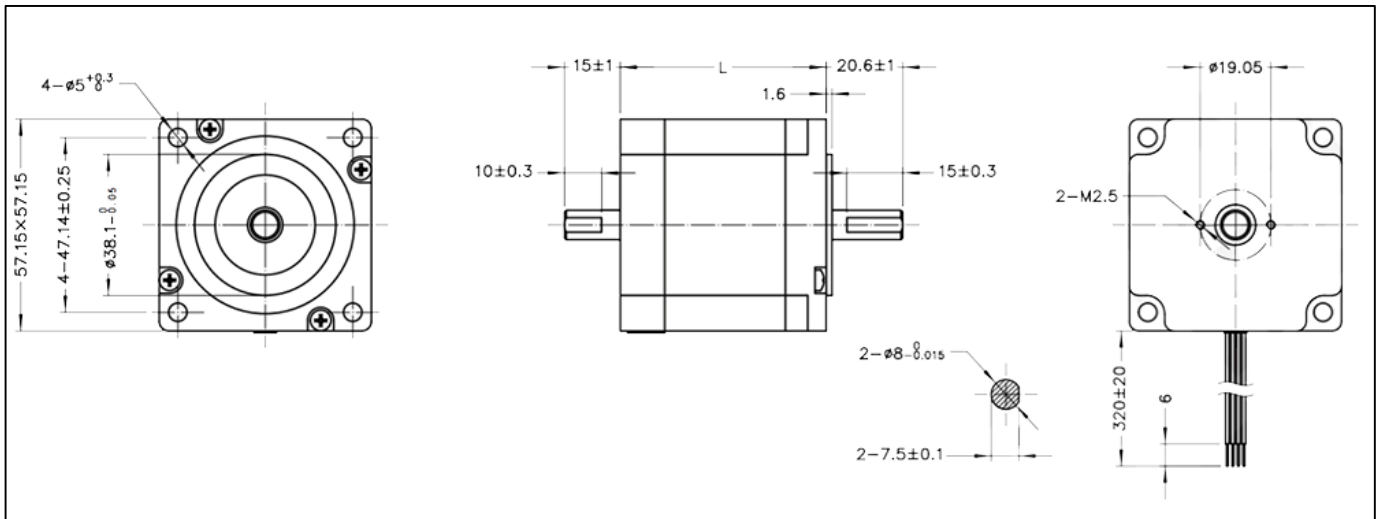
• General

Accuracy	Step angle	1,8° ± 5%	
	Resistance	± 10% / 20 C	
	Inductance	± 20% / 1KHz	
Insulation class		B	
Duty type		S1	
Dielectrical strength		500 VAC / 1 KHz / 1 mA / 1 s	
Insulation resistance		100 M Ω / 500 VDC	
Permissible radial load (5MM distance from mounting surface)	Permissible radial load (10MM distance from mounting surface)	Permissible radial load (15MM distance from mounting surface)	Permissible radial load (20MM distance from mounting surface)
180N	130N	100N	90N

• Material

End bell	Aluminum alloy
Bearing	Deep groove ball bearing
Magnet	Sintered NdFeB
Shaft	Stainless steel
Wiring	UL 3265, 22 AWG

- Dimensional Drawings



- Torque Performance Curves

